

FIXED POSITION 2D IMAGER

KIT-1125 (B)

SCANNING

- Scans & Decodes
 - Linear
 - Stacked Linear
 - Matrix
- OCR
- Red LED Illumination
- Green LED Aiming Line
- Captures 8-Bit Grayscale Image
- Smart Focus
- Resolution 752 x 480 (VGA)

ELECTRICAL

- I/O: 5VDC Trigger Input
- Power Supply: 5VDC Input
- Peak Current: 250mA (note: can be reduced depending on configuration and settings)

INTERFACE

- USB Com Port Emulation
- True RS232
- USB HID

ENVIRONMENTAL

- Operating Temperature: 32°F to 122°F (0° to 50°C)
- Relative Humidity: 0 to 95% RH non-condensing, at +50°
- Designed to meet FCC Class B and CE

PART NUMBER CONFIGURATION

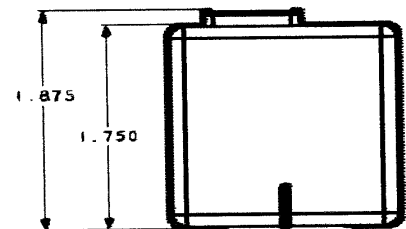
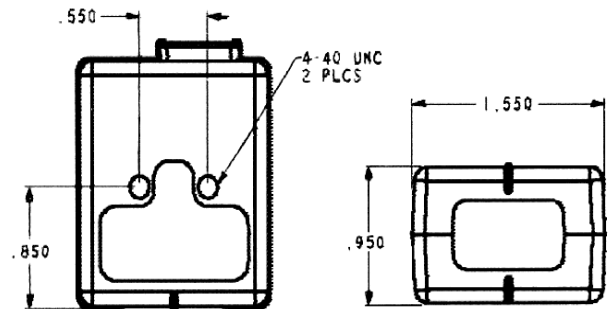
KIT-1125SF - Fixed Mount 2D Imager Smart Focus
 KIT-1125SR - Fixed Mount 2D Imager Standard Range
 True RS-232 unless otherwise designated

OPTIONS

- | | | |
|---|--|--|
| <p>I. <u>Focus Option</u>
 SR – Std Range
 SF – Smart Focus</p> | <p>II. <u>Trigger Option</u>
 Default – Software Trigger
 P – Pin Hole Access
 B – External Button/Trigger</p> | <p>III. <u>Interface Option</u>
 True RS232
 USB 1.0</p> |
| <p>IV. <u>Aimer</u>
 G – Green</p> | | |



PHYSICAL



ORDERING INFORMATION

ORDER AS: KIT-1125(B)
 RESCO Electronics
 4961 Mercantile Rd
 Baltimore, MD 21236-7915
 PH: 410-931-8200 • FAX: 410-931-8221
 WEB: www.rescoelectronics.com

WARRANTY

1 Year Limited Warranty