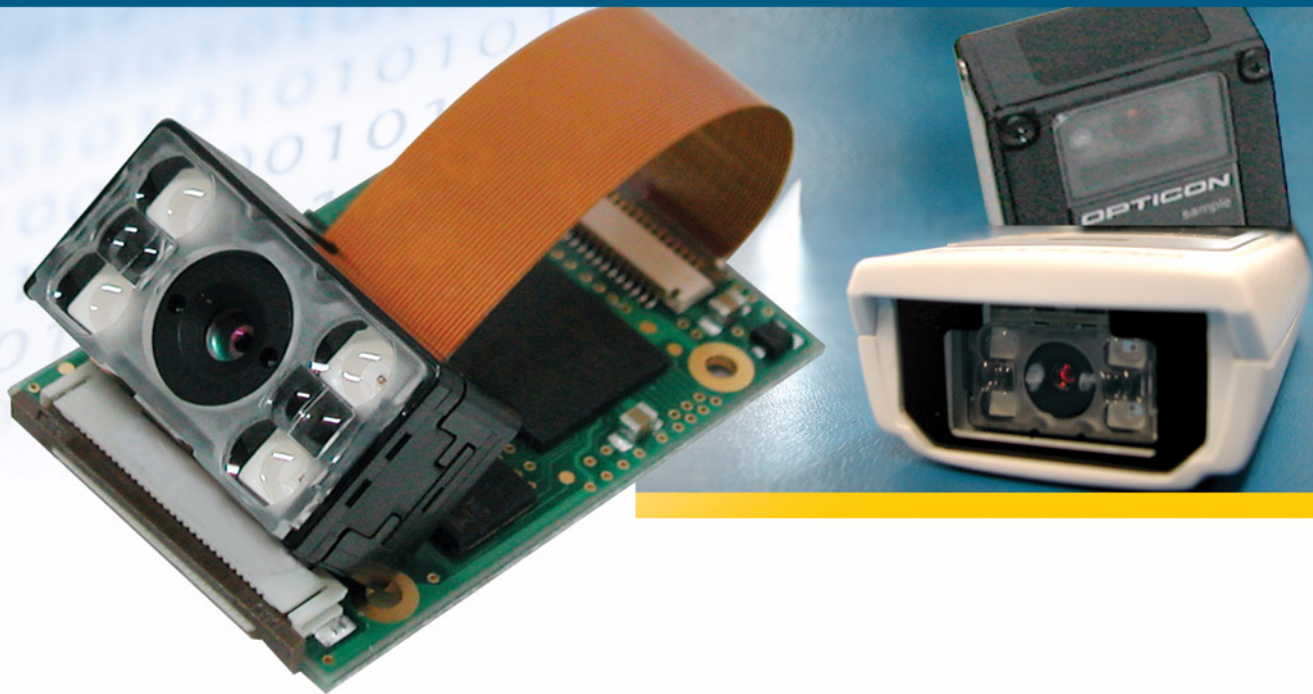


The MDI 1000 is a space-saving way to add high performance scanning of 2D barcodes within an OEM environment. ASIC decoding IC and ARM processor provides high performance imaging and decoding.

2D MODULE

MDI 1000

2D barcode engine



Features

- 1.3 Mega pixel CMOS imager with wide angle lens
- Compact-sized imager (ca. 2cm)
- Light weight
- Supports all common linear & 2D symbologies
- ARM 10 microprocessor

Benefits

- High resolution with expanded field of view
- Easy integration into space-limited devices
- Ideal for mobile devices
- Versatile reading and decoding for any application
- Very high processing performance with minimum power consumption

Cabled

Wireless

Stationary

OEM

OPTICON
always scanning for new ID's

Specifications

MDI 1000 2D barcode engine

Electrical specifications

Voltage requirement: 3.3 V (+/- 5%)

Current consumption: 330 mA

Optical specifications

Light source: illumination 4 red LEDs 630 nm, aiming 2 green LEDs

Scan method: CMOS area sensor (gray-scale)

Photo sensor: 1024 (V) x 1280 (H) Pixels

Reading pitch angle: -50 - 0°, 0 - +50°

Reading skew angle: -60 - 0°, 0 - +60°

Reading tilt angle: 360°

Curvature: R>15 (EAN8), R>20 (EAN13)

Reading range: See D.O.F. diagram. Note side view = scan height (H), top view = scan width (W)

Min. Resolution at PCS 0.9: 0.127 mm / 5 mil (PDF 417), 0.1mm / 3.9 mil (Code 39), 0.169 mm, 6.7 mil (Data Matrix, QR Code)

Min. PCS value: 0.45

Depth of field: 50 - 215 mm / 1.97 - 8.46 inches (Res. 0.339), 95 - 135 mm / 3.74 x 5.31 inches (Res. 0.127), at PCS 0.9, PDF417

Field of view: horizontal: 47°, vertical: 37.5°

Identification

Supported barcode symbologies (1D): JAN/UPC/EAN - UPC+2/+5 - EAN+2/+5 - NW-7 - Codabar - Code 39 - Code 93 - Code 128 - IATA - Industrial 2of5 - Interleaved 2of5 - Korean Postal Authority Code - Matrix 2of5 - MSI/Plessey - UK/Plessey - RSS-14 (Standard/Truncated/Stacked/Stacked-Omnidirectional) - RSS Limited - RSS Expanded (Standard/Stacked) - S-Code - Telepen | Composite code

Supported 2D code symbologies: Aztec Code - Aztec Runes - Data Matrix (ECC200/EC0-140) - Maxi Code (mode 2-5) - MicroPDF417 - PDF417 - QR code

Environmental specifications

Temperature in operation: -20 - +55°C/ -4 - +131 F

Temperature in storage: -25 - +70°C/ -13 - +158 F

Humidity in operation: 5% to 90% (non-condensing)

Humidity in storage: 5% to 90% (non-condensing)

Ambient fluorescent light immunity: 10,000 lx max

Ambient direct sun light immunity: 100,000 lx max

Shock drop test: 1.8 m drop onto concrete surface

Physical specifications

Dimensions: (W x D x H) 21.5 x 13.5 x 11.8 mm / 0.85 x 0.53 x 0.46 inches | PCB (W x D x H) 25.3 x 39 x 4.2 mm / 1.00 x 1.54 x 0.17 inches

Weight body: Ca. 3.9 g / 0.14 ounces | PCB: Ca. 3.8 gr / 0.13 ounces

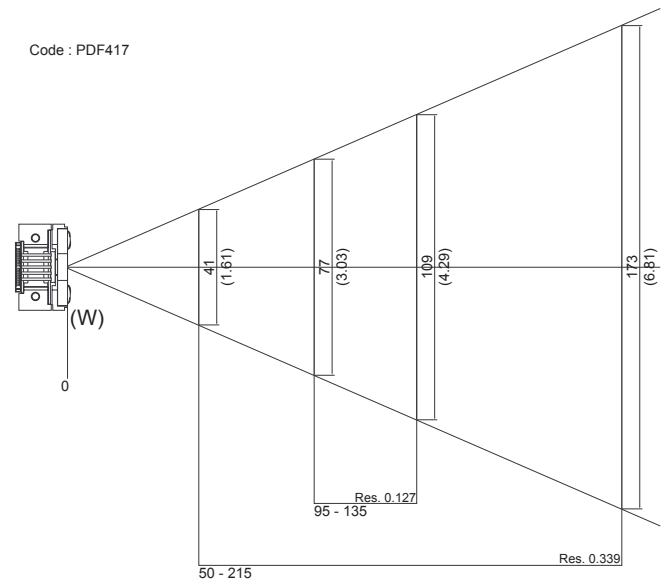
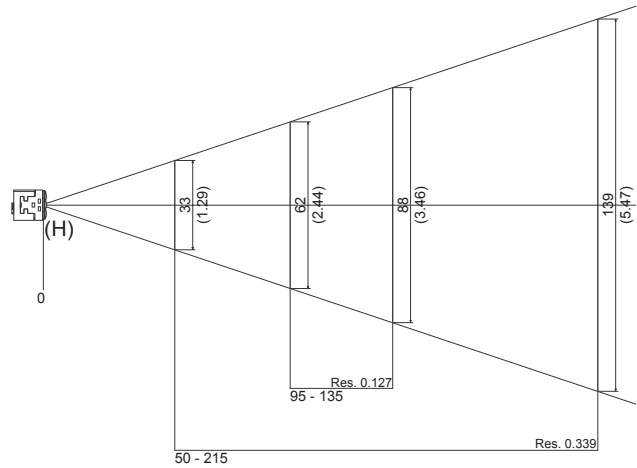
Regulatory

EMC: EN 55022, EN 55024

Environmental: RoHS, WEEE

Depth of field

Unit: mm (inches)



Copyright Opticon Sensors Europe B.V. All rights reserved. This information is subject to change without prior notice. Printed 07/2006

- The Netherlands: Hooftdorp
- France: ISSY Les Moulineaux CEDEX
- Germany: Dietzenbach
- Italy: Castel Maggiore (BO)
- Spain: Valencia
- Sweden: Järfälla
- United Kingdom: Luton, Bedfordshire
- U.S.A.: Orangeburg, NY - Bellevue, WA
- Japan: Warabi City
- Taiwan: Taipei
- P.R.China: Shanghai
- Australia: Kariong

Opticon Inc.
8 Olympic Drive
Orangeburg NY 10962 - 2511
U.S.A.
toll free: 800-636-0090
tele: 845-365-0090
fax: 845-365-1251
email: sales@opticonUSA.com
internet: www.opticonUSA.com

www.opticonUSA.com
OPTICON
always scanning for new ID's